



# Parts Manual

Mfg. No: 020297-0  
3,800 PSI John Deere

# JOHN DEERE



---

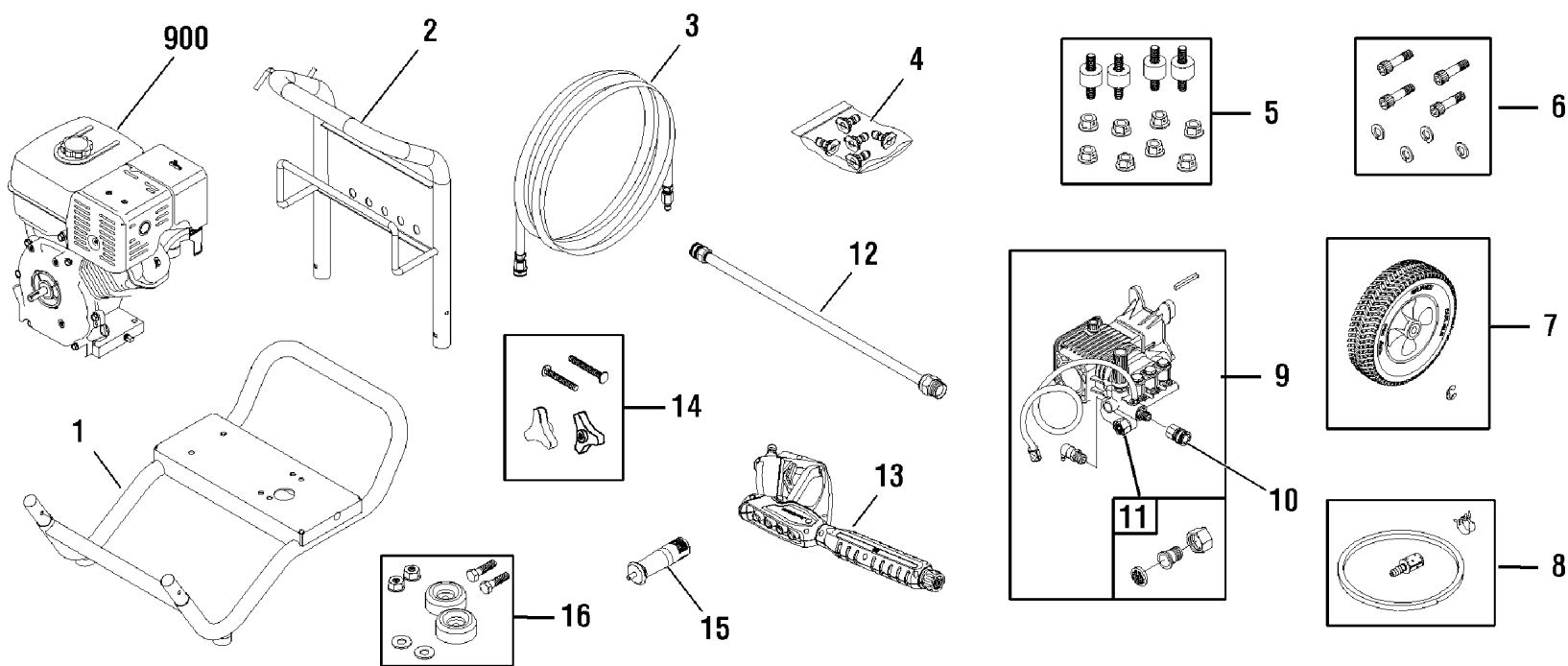
<b>Model Components</b>	<b>Page</b>
Main Unit (202019).....	4
Pump (202026SV).....	6
Torque Specification Chart.....	8

Not For  
Reproduction

# Main Unit (202019)

Note: Unless noted otherwise, use the standard torque specifications

Mfg. No: 020297-0



Not For  
Reproduction

## Main Unit (202019)

REF NO	PART NO	QTY	DESCRIPTION
1	312266GS		BASE
2	201457FGS		HANDLE
3	202016GS		HOSE
4	196233GS		KIT, QC Nozzles
--	195983AGS		NOZZLE-QC RED
--	195983BGS		NOZZLE, QC, Yellow
--	195983CGS		NOZZLE, QC, Green
--	195983DGS		NOZZLE, QC, White
--	195846ZZGS		NOZZLE, QC, Black
5	195294GS		KIT, Hardware, Engine Mounting
6	192132GS		KIT, Hardware, Pump Mounting
7	203045GS		KIT, Wheel
--	191265GS		E-RING
8	192796GS		HOSE, Chemical
9	203046GS		PUMP
--	208673GS		VALVE, Thermo Relief
--	63281GS		KEY
10	95458GS		FITTING
11	199310GS		ADAPTER, Garden Hose
12	193814GS		EXTENSION, QC
13	209095GS		GUN
14	203040GS		KIT, Hardware, Handle
15	209092GS		GRIP
16	192310GS		MOUNT, Vibration
900	-----		* ENGINE
--	310638GS		MANUAL, Operator's, ENG -(Not Illustrated)
--	310639GS		MANUAL, Operator's, SPN -(Not Illustrated)
--	202488GS		OIL BOTTLE (Qty 2 Required) -(Not Illustrated)
--	30809GS		GROMMET -(Not Illustrated)
--	191267GS		AXLE -(Not Illustrated)
--	201979GS		DECAL, Unit -(Not Illustrated)
--	311300GS		DECAL, Air Cleaner -(Not Illustrated)
--	208538GS		DECAL, Spark -(Not Illustrated)
--	194256GS		TAG, Warning -(Not Illustrated)
--	6039		PUMP SAVER -(Optional Accessory)
--	6048		KIT, O-Ring Maintenance -(Optional Accessory)

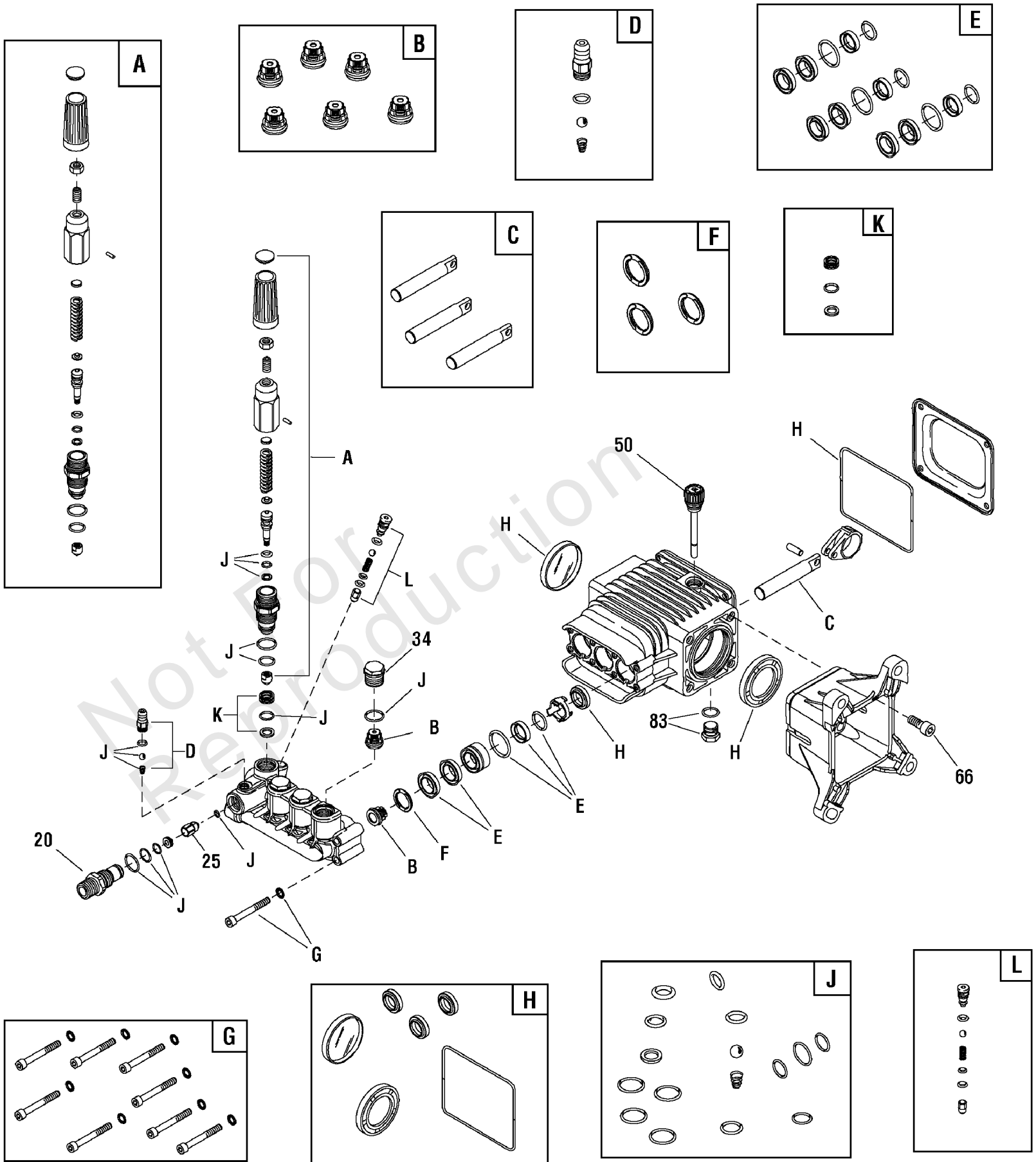
### Footnotes:

\*Contact Engine Manufacturer for parts and se

# Pump (202026SV)

Note: Unless noted otherwise, use the standard torque specifications

Mfg. No: 020297-0



## Pump (202026SV)

REF NO	PART NO	QTY	DESCRIPTION
20	198851GS		INJECTOR, Detergent
25	204860GS		JET
34	198850GS		PLUG
50	198849GS		DIPSTICK
66	198297GS		SCREW
83	203034GS		PLUG-DRAIN
A	198736GS		KIT, Unloader
B	202799GS		* KIT, Check Valve
C	198844GS		* KIT, Piston
D	192914GS		* KIT, Chemical Injection
E	198845GS		* KIT, Water Seal
F	198848GS		* KIT, Support Ring
G	198852GS		* KIT, Hardware
H	198846GS		* KIT, Oil Seals
J	198847GS		* KIT, O-Ring Maintenance
K	202902GS		* KIT, Unloader Seat
L	202800GS		* KIT, Unloader
--	B2384GS		FILTER, Garden Hose
--	208673GS		VALVE, Thermal Relief
--	6039		PUMP SAVER
--	6033		OIL

---

**Footnotes:**

\* Service Kit includes all parts shown in box.

# Hardware Identification & Torque Specifications

Torque Specification Chart								
FOR STANDARD METRIC MACHINE HARDWARE (Tolerance ± 20%)								
Property Class	5.6		8.8		10.9		12.9	
	Class 5.6		Class 8.8		Class 10.9		Class 12.9	
Size Of Hardware	in/lbs	Nm.	in/lbs	Nm.	in/lbs	Nm.	in/lbs	Nm.
	ft/lbs		ft/lbs		ft/lbs		ft/lbs	
M3	5.88	.56	13.44	1.28	19.2	1.80	22.92	2.15
M4	13.44	1.28	30.72	2.90	43.44	4.10	52.56	4.95
M5	26.4	2.50	60.96	5.75	5.97	8.10	7.15	9.7
M6	44.64	4.3	7.3	9.9	10.3	14	12.1	16.5
M7	5.2	7.1	12.1	16.5	16.9	23	19.9	27
M8	7.7	10.5	17.7	24	25	34	29	40
M10	15	21	35	48	50	67	59	81
M12	26	36	61	83	86.2	117	103	140
M14	42	58	101	132	136	185	162	220
M16	64	88	147	200	210	285	250	340
M18	89	121	202	275	287	390	346	470
M20	126	171	290	390	405	550	486	660
M22	169	230	390	530	559	745	656	890
M24	217	295	497	375	708	960	840	1140
M27	320	435	733	995	1032	1400	1239	1680
M30	435	590	995	1350	1401	1900	1681	2280
M33	590	800	1349	1830	1902	2580	2278	3090
M36	759	1030	1740	2360	2441	3310	2935	3980
M39	988	1340	2249	3050	3163	4290	3798	5150

Torque Specification Chart						
FOR STANDARD MACHINE HARDWARE (Tolerance ± 20%)						
Hardware Grade	No Marks		SAE Grade 5		SAE Grade 8	
	SAE Grade 2		SAE Grade 5		SAE Grade 8	
Size Of Hardware	in/lbs	Nm.	in/lbs	Nm.	in/lbs	Nm.
	ft/lbs		ft/lbs		ft/lbs	
8-32	19	2.1	30	3.4	41	4.6
8-36	20	2.3	31	3.5	43	4.9
10-24	27	3.1	43	4.9	60	6.8
10-32	31	3.5	49	5.5	68	7.7
1/4-20	66	7.6	8	10.9	12	16.3
1/4-28	76	8.6	10	13.6	14	19.0
5/16-18	11	15.0	17	23.1	25	34.0
5/16-24	12	16.3	19	25.8	29	34.0
3/8-16	20	27.2	30	40.8	45	61.2
3/8-24	23	31.3	35	47.6	50	68.0
7/16-14	30	40.8	50	68.0	70	95.2
7/16-20	35	47.6	55	74.8	80	108.8
1/2-13	50	68.0	75	102.0	110	149.6
1/2-20	55	74.8	90	122.4	120	163.2
9/16-12	65	88.4	110	149.6	150	204.0
9/16-18	75	102.0	120	163.2	170	231.2
5/8-11	90	122.4	150	204.0	220	299.2
5/8-18	100	136	180	244.8	240	326.4
3/4-10	160	217.6	260	353.6	386	525.0
3/4-16	180	244.8	300	408.0	420	571.2
7/8-9	140	190.4	400	544.0	600	816.0
7/8-14	155	210.8	440	598.4	660	897.6
1-8	220	299.2	580	788.8	900	1,244.0
1-12	240	326.4	640	870.4	1,000	1,360.0

The guides and ruler furnished below are designed to help you select the appropriate hardware.

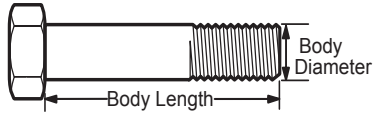


Nut, M8

Thread Diameter (mm)

Inside Diameter (in)      Threads per inch

Nut, 1/2-16



Screw, M8- 1.25 x 25

Thread Diameter (mm)      Distance between threads (mm)      Body Length (mm)

Body Diameter      Threads per inch      Body Length (in)

Screw, 1/2- 16 x 2



## Standard Hardware Sizing

When a washer or nut is identified as 1/2" (M8), this is the *Nominal size*, meaning the *inside diameter* is 1/2 inch (8mm metric thread diameter); if a second number is present it represents the *threads per inch* (distance between threads).

When bolt or capscrew is identified as 1/2 - 16 x 2" (M8 - 1.25 x 50), this means the *Nominal size*, or body diameter is 1/2 inch (8mm metric thread diameter), the second number, 16, represents the *threads per inch*, (*distance between threads*). The final number is the body length of the bolt or screw, 2 inches (50mm).

## NOTES

- These torque values are to be used for all hardware excluding: locknuts, self-tapping screws, thread forming screws, sheet metal screws and socket head setscrews.
- Recommended seating torque values for locknuts:
  - for prevailing torque locknuts - use 65% of grade 5 torques.
  - for flange whizlock nuts and screws - use 135% of grade 5 torques.
- Unless otherwise noted on assembly drawings, all torque values must meet this specification.

## Common Hardware Types

Hex Head Capscrew



Washer



Carriage Bolt



Hex Nut

## Wrench & Fastener Size Guide

1/4" Bolt or Nut Wrench—7/16"	5/16" Bolt or Nut Wrench—1/2"	3/8" Bolt or Nut Wrench—9/16"	7/16" Bolt or Nut Wrench (Bolt)—5/8" Wrench (Nut)—11/16"	1/2" Bolt or Nut Wrench—3/4"
M6 Bolt or Nut Wrench—10mm	M8 Bolt or Nut Wrench—13mm	M10 Bolt or Nut Wrench—17mm	M12 Bolt or Nut Wrench—19mm	M14 Bolt or Nut Wrench—22mm





**JOHN DEERE**